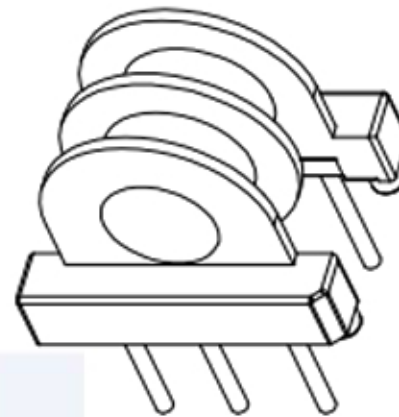
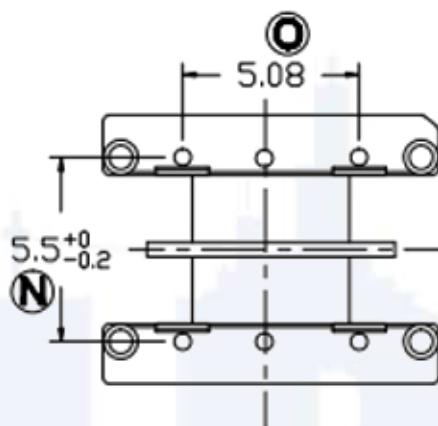
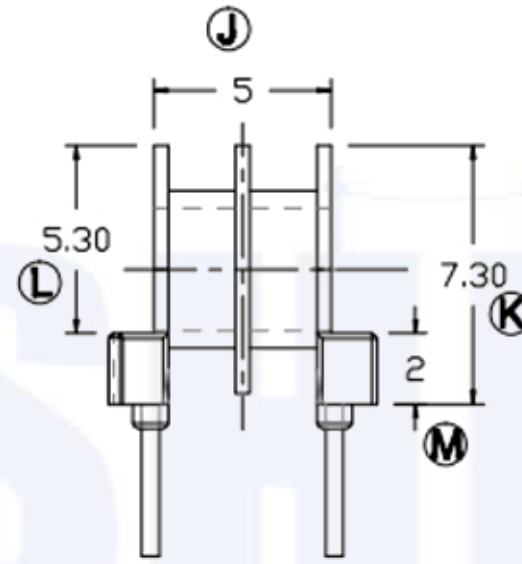
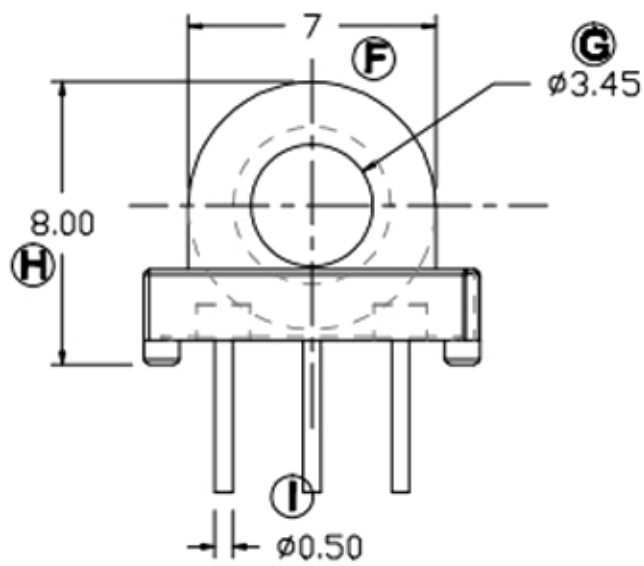
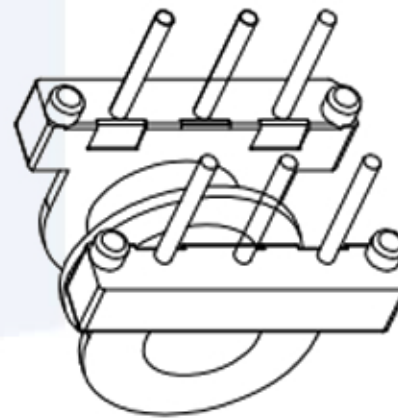
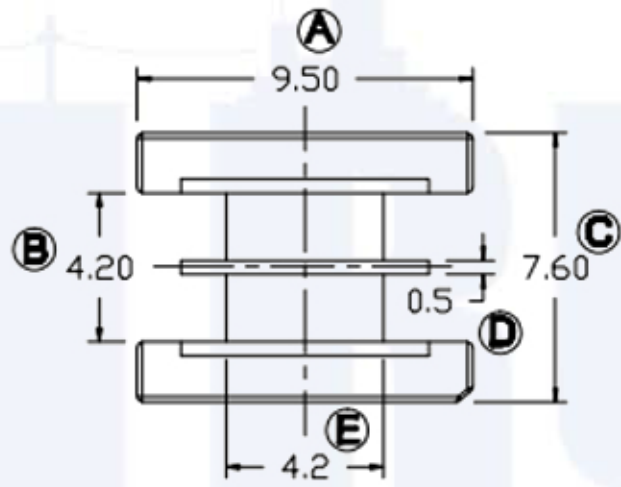

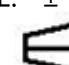


SHIRUI



SHIRUI Hefei Shirui Electronic Technology Co.,Ltd

SR NO. SR-EP0703	MATERIAL: PHENOLIC	UNIT: mm	DRN.	WILL H
	UL REC: UL 94V-0	TOLERANCE	CHD.	IRINA LEE
MODEL NAME: EP7 6P-2S H	ANGLE: ±°   SCALE 1:1	0 < X < 4 ±0.1 4 < X < 16 ±0.2 16 < X < 60 ±0.3 PIN PITCH ±0.2	ISSD.	JAMES HU